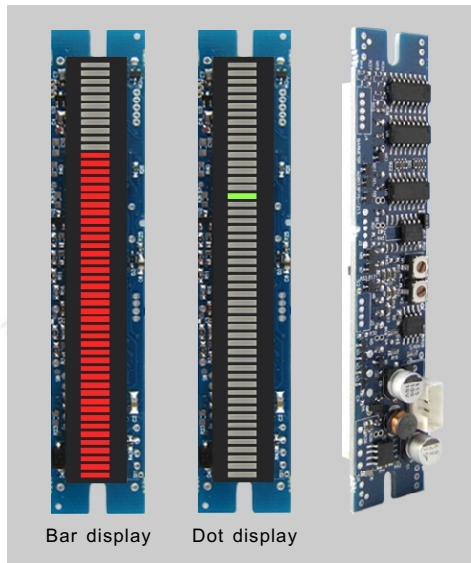


AS Series of LEDs Bargraph Meter Modules

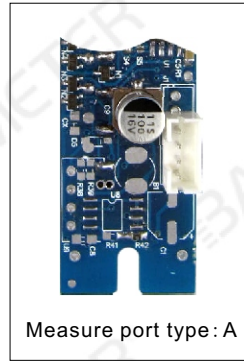
AS151P-755S, AS151P-755SP

51 Segments 75 mm Single Bar-Meter Modules

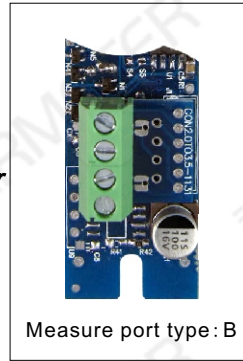
AS



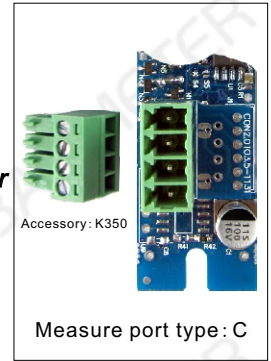
Bar display Dot display



Measure port type : A



Measure port type : B



Measure port type : C

SPECIFICATIONS

2012.07 —

FEATURES

- Rectangle windows technics with soft tinct.
- Wide range power supply and low power consumption.
- Bar display or dot display is optional.
- Single module structure, easy to install.
- Used in measure and display DC value.

[Http://www.barmeter.com](http://www.barmeter.com)

DESCRIPTIONS

- Input Mode: Current, Voltage, Rheostat
- Max. Input Over Capability: $2 \times$ Input value
- Input Resistance Via For Volt Meter: $> 500K\Omega$
- Resistance Via For Current Meter: $< 50\Omega$
- Measuring Accuracy:

Current, Voltage	$\pm 0.5\% F. S \pm 1$ Segment
Rheostat	$\pm 1.0\% F. S \pm 1$ Segment

- Effective Beam Number: 51 Segments
- Bargraph Length: 75 mm
- Segment pitch: 1.5 mm
- Bargraph Width: 5.0 mm
- Zero and Full Adjust Ratio: $\pm 10 \sim 20\%$

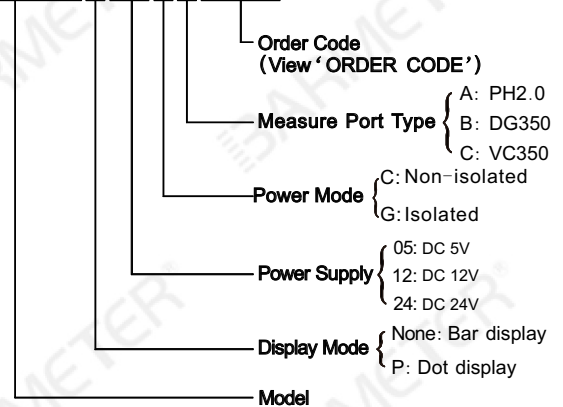
- Power Supply and Range:

Non-isolated	Normal: DC5V $\pm 10\%$ Optional: DC12V (10~15V) DC24V (20~28V)
Isolated	DC5V $\pm 5\%$, DC12V $\pm 5\%$, DC24V $\pm 5\%$ Insulating Intension: DC1000V 1min

- Power Consumption: $\leq 400mW$ (F. S.)
- Environment: $-30 \sim 70^\circ C$ & $< 85\% RH$

MODEL AND ORDERING CODE

AS151P-755SP 05 G C A 7 0 1 4



ORDER CODE (AS151P-755S)

Bar color	0~5V	1~5V	0~10mA	4~20mA	0~10V	Rheostat 2~10KΩ
Red	7011	7012	7013	7014	7015	7016
Green	7021	7022	7023	7024	7025	7026
Yellow	7031	7032	7033	7034	7035	7036
R(G)*	7041	7042	7043	7044	7045	7046
G(R)*	7051	7052	7053	7054	7055	7056

- * Contiguous 9 red segments and 1 green segment cling together
- * Contiguous 9 green segments and 1 red segment cling together

ORDER CODE (AS151P-755SP)

Bar color	0~5V	1~5V	0~10mA	4~20mA	0~10V	Rheostat 2~10KΩ
Red	7011	7012	7013	7014	7015	7016
Green	7021	7022	7023	7024	7025	7026
Yellow	7031	7032	7033	7034	7035	7036

AS Series of LEDs Bargraph Meter Modules

AS151P-755S, AS151P-755SP

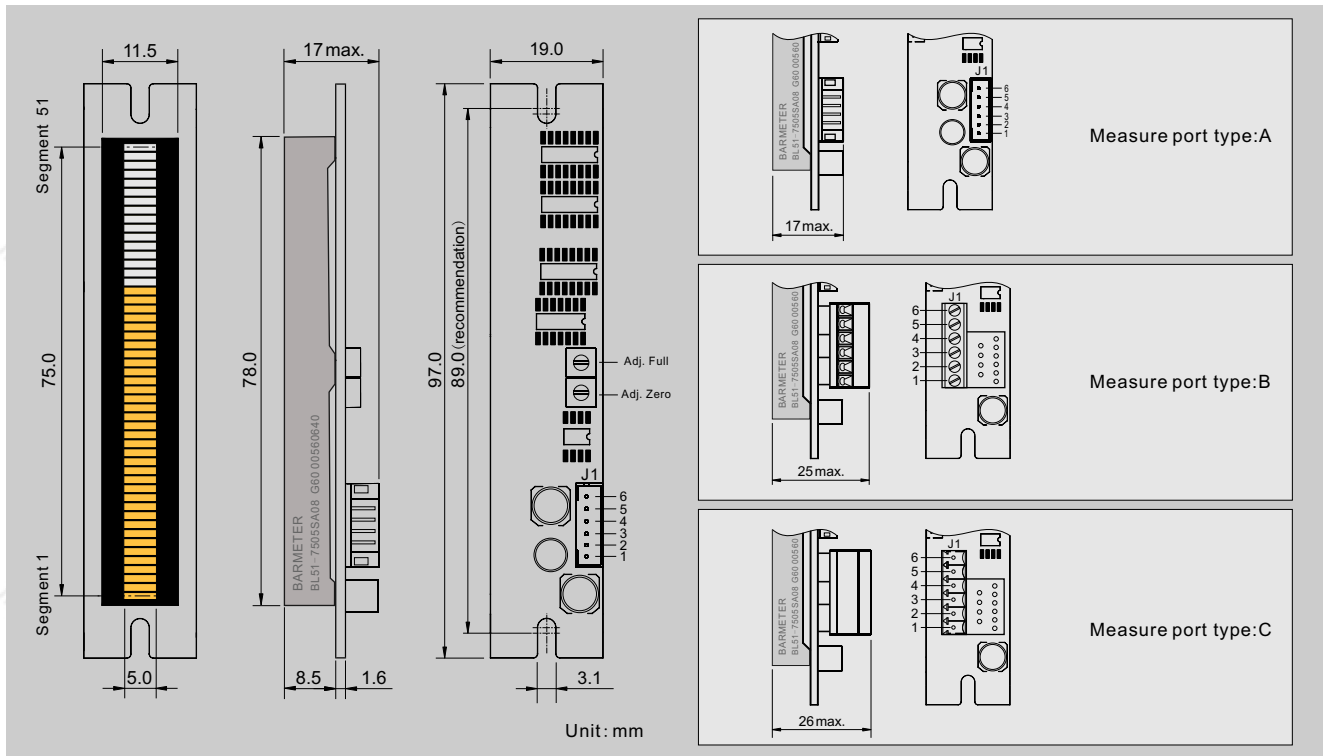
51 Segments 75 mm Single Bar-Meter Modules

AS

S

■ DIMENSION

• MODULE

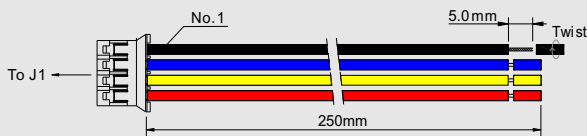


■ MEASURE PORT PINOUT (J1)

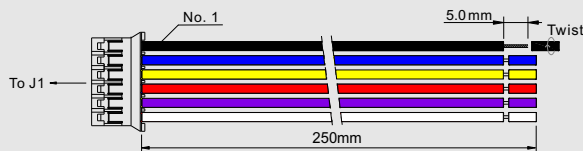
No.	Symbol	Wire color	Definition	Note
1	PS-	Black	Power Supply Negative	
2	IN(L)	Blue	Input Low	
3	IN(H)	Yellow	Input High	
4	PS+	Red	Power Supply Positive	
5	Vref	Purple	Vref Output	*
6	GND	White	Internal Ground	*

* When order '70X6' (View 'ORDER CODE')

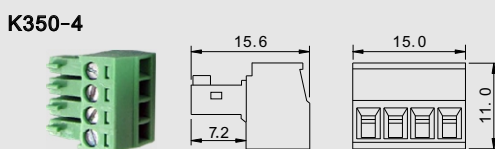
- CONNECTOR (When the measure port choose type A)
WPH-204L25-1



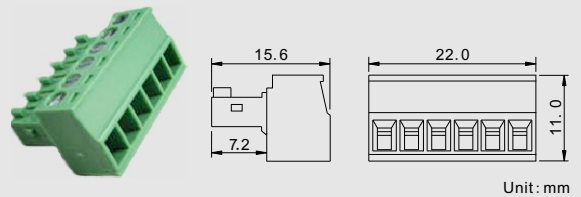
- CONNECTOR (When the measure port choose type B)
WPH-206L25-1 (When order '70X6')



- CONNECTOR (When the measure port choose type C)
K350-4

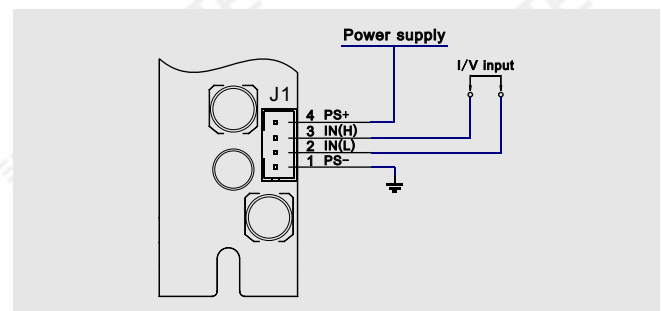


K350-6 (When order '70X6')

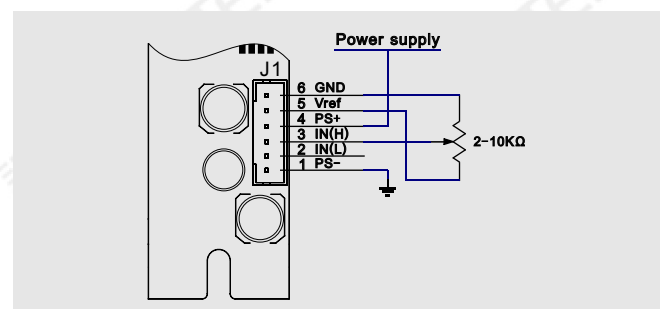


■ THE APPLICATION OF SIGNAL INPUT

- The Application of Voltage and Current Input



- The Application of Rheostat Input



BARMETER

Barmeter Electronics Co., Ltd.

TEL: 86-21-68065675, 68065676 FAX: 86-21-68065673

No.5998 Yanggao Rd(s), Shanghai [Http://www.barmeter.com](http://www.barmeter.com)